

# ■ IDM-17

Industrial Monitor with 17" 1280 × 1024 LCD Panel



## Specifications

LCD Panel	
Display Type	17" SVGA TFT LCD(Backlight LED)
Resolution	1280 × 1024
Max.color	16.7M
Luminance	300 cd/m2
View Angle	178°(H) , 178°(V)
Pixel Pitch	0.264 x 0.264 mm
Contrast Ratio	1000 : 1
Response Time	35 ms
LCD MTBF	50,000hrs
System & I/O Interface	
VGA	D-SUB 15Pin Connector (female)
HDMI	HDMI Input (female)
Audio	3.5" Jack and 2 x Speaker
Power Connector	2-Pin Terminal Block
Display Control	OSD (On front panel)
Speaker	2 x Speakers
Available Options	
Touch screen RS232	D-SUB 9Pin connector (female)
Touch screen USB	USB-A type connector (female)

## Features

- 17" SXGA TFT LCD Panel support 1280 × 1024 pixels, 300 cd/m2 brightness
- 6mm Aluminum bezel panel with touch screen/strengthen glass
- Rugged construction and modularized design
- VGA + HDMI/DVI + AUDIO Input signal(AV optional)
- 2 x stereo speakers for industrial automation system voice output
- OSD control keys to optimize the display
- AC 100-240V wide range external ac adapter
- DC 8 ~ 30V input power module(Optional)
- NEMA4 / IP 65 compliant front panel
- Panel ( Flush ) mount with bracket or standard VESA hole (100x100 mm) supports desktop stand / wall mount/ swing arm mount

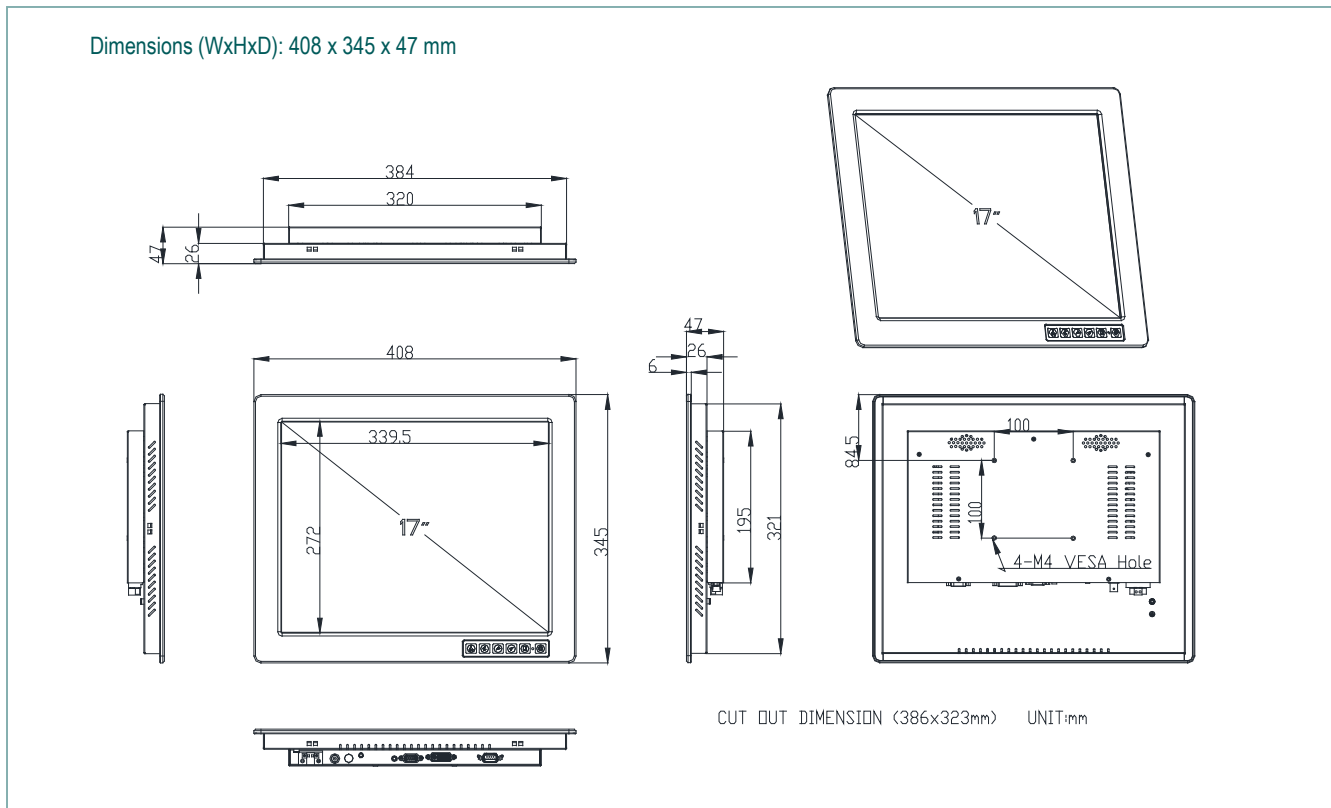
Input signal	DP, DVI-D, AV, S-video, BNC
Mechanical and Environmental	
Construction	Heavy duty steel and aluminum front panel
IP Level	Front IP65
Dimensions (WxHxD)	408 x 345 x 47 mm
Weight	Net: 8.0kg , Gross: 10.5 kg
Operating temperature	-10~ 60°C (-14~140°F)
Storage temperature	-20~ 70°C (-4 ~ 158°F)
Storage humidity	5%~ 95%, non-condensing
Anti-Vibration	17HZ-500 HZ 1G PTP
Anti-Shock	1G / peak( 11m sec)
Certification and Approvals	CE, FCC, ROHS
Power Supply	
Input	100~240VAC,50/60Hz
Output	DC 12V@ 5A / 60W ,external ac adapter
DC Power (Optional)	Wide Range 8~30v DC input

# IDM-17

## Pictures & Views



## Dimensions Diagram



## Ordering information

Model	Descriptions
IDM-17	Industrial Monitor, 17" LCD Panel, with VGA + HDMI/DVI + Audio input
IDM-17TC	Industrial Monitor, 17" LCD Panel, with VGA + HDMI/DVI + Audio input, with touch screen and RS232 controller
IDM-17TU	Industrial Monitor, 17" LCD Panel, with VGA + HDMI/DVI + Audio input, with touch screen and USB controller