

# IDM-22W

22" wide-screen LCD Industrial monitor with touch panel

Industrial monitor



## Features

- 22" WSXGA+ TFT LCD Panel 1680 x 1050 pixels, 250 cd/m2 brightness
- 6mm Aluminum bezel panel with touch screen/strengthen glass
- Rugged construction and modularized design
- VGA + HDMI/DVI + AUDIO Input signal(AV optional)
- 2 x stereo speakers for industrial automation system voice output
- OSD control keys to optimize the display
- AC 100-240V wide range external ac adapter
- DC 8 ~ 30V input power module(Optional)
- NEMA4 / IP 65 compliant front panel
- Panel ( Flush ) mount with bracket or standard VESA hole (100x100 mm) supports desktop stand / wall mount/ swing arm mount

## Specifications

### TFT characteristics

Display Type	22" WSXGA+ TFT LCD(Backlight LED)
Resolution	1680 x 1050
Max.color	16.7M
Luminance	250 cd/m2
View Angle	170°(H) , 160°(V)
Pixel Pitch	0.282x 0.282 mm
Contrast Ratio	1000 : 1
Response Time	5 ms
LCD MTBF	50,000hrs

### Mechanical and Environmental

Construction	Heavy duty steel and aluminum front panel
Dimensions (WxHxD)	545 x 375 x 45 mm
Weight	Net: 13.0kg , Gross:16 kg
Operating temperature	-10~ 60°C (-14~140°F)
Storage temperature	-20~ 70°C (-4 ~ 158°F)
Storage humidity	5%~ 95%, non-condensing
Anti-Vibration	17HZ-500 HZ 1G PTP
Anti-Shock	1G / peak( 11m sec)

### Available Options

Touch screen	Resistive Type with USB and RS232 controller
DC Power Input	Wide Range 8~30v DC input
AV input	Composite video/audio, S-video input

### Input Signals

RGB Signal	D-SUB 15P Connector (female)
DC input	DC Jack (2.1mm)
Video input (option)	RCA Connector
S-Video signal (option)	S-Video (SVHS)plug
DVI-D Signal	DVI-D input 24pin connector (female)
Touch screen RS232 (option)	D-SUB 9p connector (female)
Touch screen USB (option)	USB-A type connector (female)

### Power Specifications

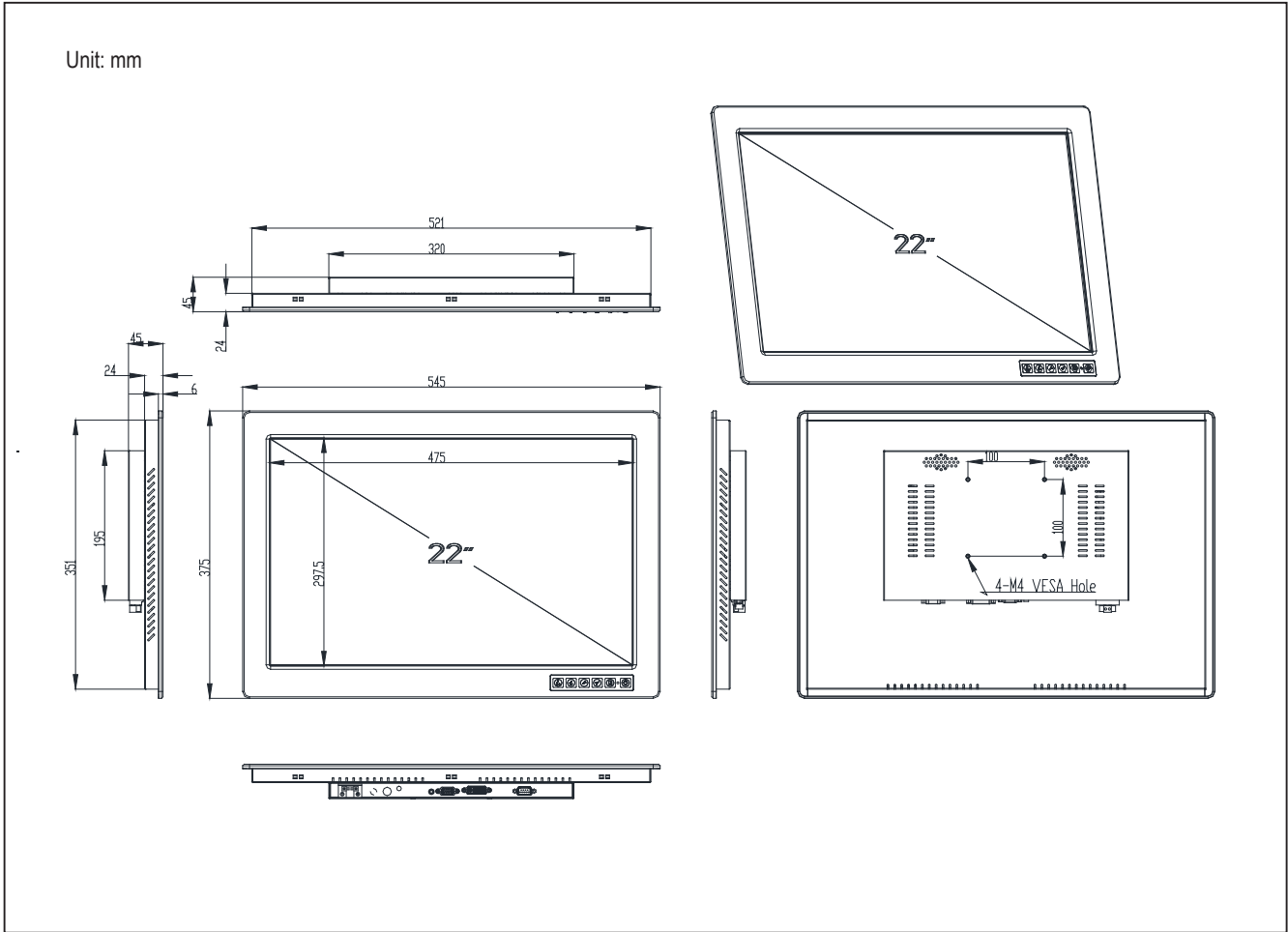
Input	100~240VAC,50/60Hz
Output	DC12V@ 5A / 60W ,external ac adapter

# IDM-22W

## Ordering information

VGA + DVI input	
IDM-22W	22" Industrial LCD Panel Monitor with VGA + HDMI/DVI + Audio input
IDM-22WTC	22" Industrial LCD Panel Monitor with VGA + HDMI/DVI + Audio input, with touch screen and RS232 controller
IDM-22WTU	22" Industrial LCD Panel Monitor with VGA + HDMI/DVI + Audio input, with touch screen and USB controller
AV input	
IDM-22WA	22" Industrial LCD Monitor with VGA + HDMI/DVI + Audio + S-Video + Video input or BNC input
IDM-22WATC	22" Industrial LCD Monitor with VGA + HDMI/DVI + Audio + S-Video + Video input or BNC input, with touch screen and RS232 controller
IDM-22WATU	22" Industrial LCD Monitor with VGA + HDMI/DVI + Audio + S-Video + Video input or BNC input, with touch screen and USB controller
Power Supply	
DC-DC Power	DC 8 ~ 30v input power module

## Dimensions Diagram



Touchscreen monitor