

IEC-528

2u Rackmount Network Security Platform



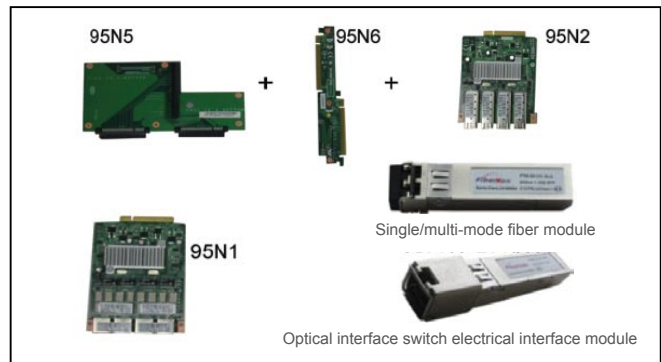
Specifications

System	
Construction	Compact 19" 2u Rackmount Heavy-Duty Steel Chassis
CPU	Support Intel Dual Intel FC-LG771 Dempsey/ Woodcrest/ Clovertown, support 1066/1333 Mhz FSB
Chipset	Intel 5000P+632XESB Chipset
BIOS	4 MB Flash AWARD BIOS, support USB and CF start
System Memory	8x DDR2/677 FB DIMM, ECC RAM, Support dual channel up to 32Gb memory
Ethernet Chip	4x Optical Interface Gigabit Lan with Intel82571EB Chip, 4x electrical interface with Intel82571 Chip
I/O Chip	IT8712F Chip
Lan BYPASS	2 x BYPASS Function
Watchdog timer	255 Generates a time-out system reset
Dimensions(WxHxD)	440x88x500 mm
I/O Interface	
IDE Interface	1x 44-Pin IDE Interface Support ATA66/100, Support 44-Pin DOM
SSD	1x CF Slot
SATA Interface	4x SATA Interface, support RAID0/1/5
LAN Ports	4x SFP, 4x RJ-45 in front panel
USB Ports	4x USB2.0
COM	1x RS232 COM in Front Panel, 1x Built-in COM
Display Ports	1x VGA
Keyboard/Mouse	1x Built-in PS/2
PCI Expansion Slot	1x PCI-X, 1x PCIEX16
Digital I/O Interface	1x 4-input&4-output programmable Digital I/O
Environmental Specifications	
Operating Temperature	0 °C to 60 °C
Storage Humidity	5% to 95%@ 40°C , on-condensing
Vibration	5-17Hz/1mm amplitude, 17-640Hz/1.5g acceleration
Shock	10G peak acceleration (11 msec. duration)
Safety	FCC/VDE(Level A)
Operation System	Support Microsoft, FreeSBD, Novell, Redhat, SOC, Linux

Features

- Support Intel Dual Intel FC-LG771 Dempsey/ Woodcrest/ Clovertown support 1066/1333 Mhz FSB
- Intel 5000P+632XESB Chipset
- 8x DDR2/677 FB DIMM, ECC RAM, Support dual channel up to 32Gb memory
- 4x Optical Interface Gigabit Lan with Intel82571EB Chip, 4x electrical interface with Intel82571 Chip
- 1x PCI-X, 1x PCIEX16 expansion slots
- 2x LANBYPASS Function
- Support RAID0, 1, 5 function
- Support watchdog function

Optional Components



Ordering Informations

IEC-528	IEC-528 Chassis, IEC-9188 Motherboard, 150W ATX Power Supply, 4x SFP, 4x RJ-45 Gigabit Lan Ports
	95N6: Bridging motherboard PCIE slot and expansion card(Optional)
	95N7: 3x PCIE-4X expansion card(Optional)
	95N1: 4x RJ-45 Gigabit Lan Ports, With INTEL 82571EB Dual Network Chip(Optional)
	95N2: 4x SFP, With INTEL 82571EB Dual Network Chip(Optional)

Dimensions Diagram

