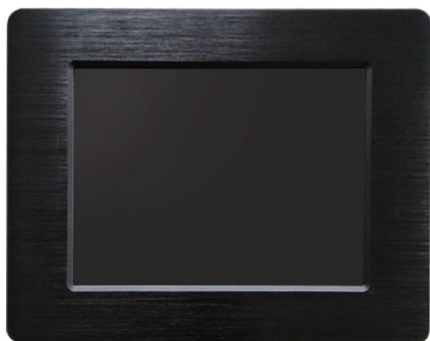


IPC-08A

Industrial Panel PC with 8" 1024x768 LCD Panel



Features

- 8.4" SVGA TFT LCD Panel support 800x600 pixels
- 6 mm Aluminum front bezel with resistive touch screen
- IP65 compliant aluminum front bezel
- Intel Celeron J1900 Quad Core 2.0G CPU
- Supports Windows Win7/Win8/Win10, Linux
- 2*COM , 1x HDMI, 1xVGA, 4xUSB(1 usb 3.0), 2xLAN, 1x AUDIO, MIC
- 1* Mini PCIe slot for wifi optional
- Standard DC 12V input (optional Wide range DC 8-30V input)
- Panel (Flush) mount with clips
- Standard VESA 75mm holes support stand , wall mount and swing arm

Specifications

System	
Processor	Intel Celeron J1900 CPU
Chipset	Intel Bay trail SOC
Memory	DDR3 4G RAM(MAX 8G)
Graphic	Intel HD chipset
Storage	2.5" SSD/HDD (Size optional)
Ethernet	2 x 100/1000 LAN ports
Vedio	1 x VGA
Audio	1x Mic-in, 1x Line-out
USB Port	4 x USB2.0
Serial Port	2*COM (1* RS232,1*RS422/485)
Keyboard/Mouse ports	2x PS/2
Parallel ports	1 x LPT (SPP/EPP/ECP port)
Power switch	1 x Power Switch
Expansive Slot	1 x Mini PCIe
Power supply	1 x DC input terminal connector
Construction	Front aluminum bezel and steel chassis
LCD Panel	
Display Type	8.4" SVGA TFT LCD(LED backlight)
Resolution	800 x 600
Max.color	16.2M
Luminance	250 cd/m2

View Angle	160°(H) , 140°(V)
Pixel Pitch	0.213 x 0.213 mm
Contrast Ratio	600:1
Response Time	30 ms
LCD MTBF	50, 000hrs

Available Options

Touch screen	Resistive type touch screen
Wireless LAN	Meet IEEE802.11b/g standard

Mechanical and Environmental

IP Level	Front panel IP65-rated
Dimensions (WxHxD)	248.8 x 196.8 x 70 mm
Weight	Net: 4kg , Gross:5.6 kg
Operating temperature	-10°C~ 60°C (-14~140°F)
Storage temperature	-20°C ~ 70°C (-4 ~ 158°F)
Storage humidity	5% to 95% @40°C non-condensing
Anti-Vibration	17HZ-500 HZ 1G PTP
Anti-Shock	1G / peak(11m sec)

Power Supply

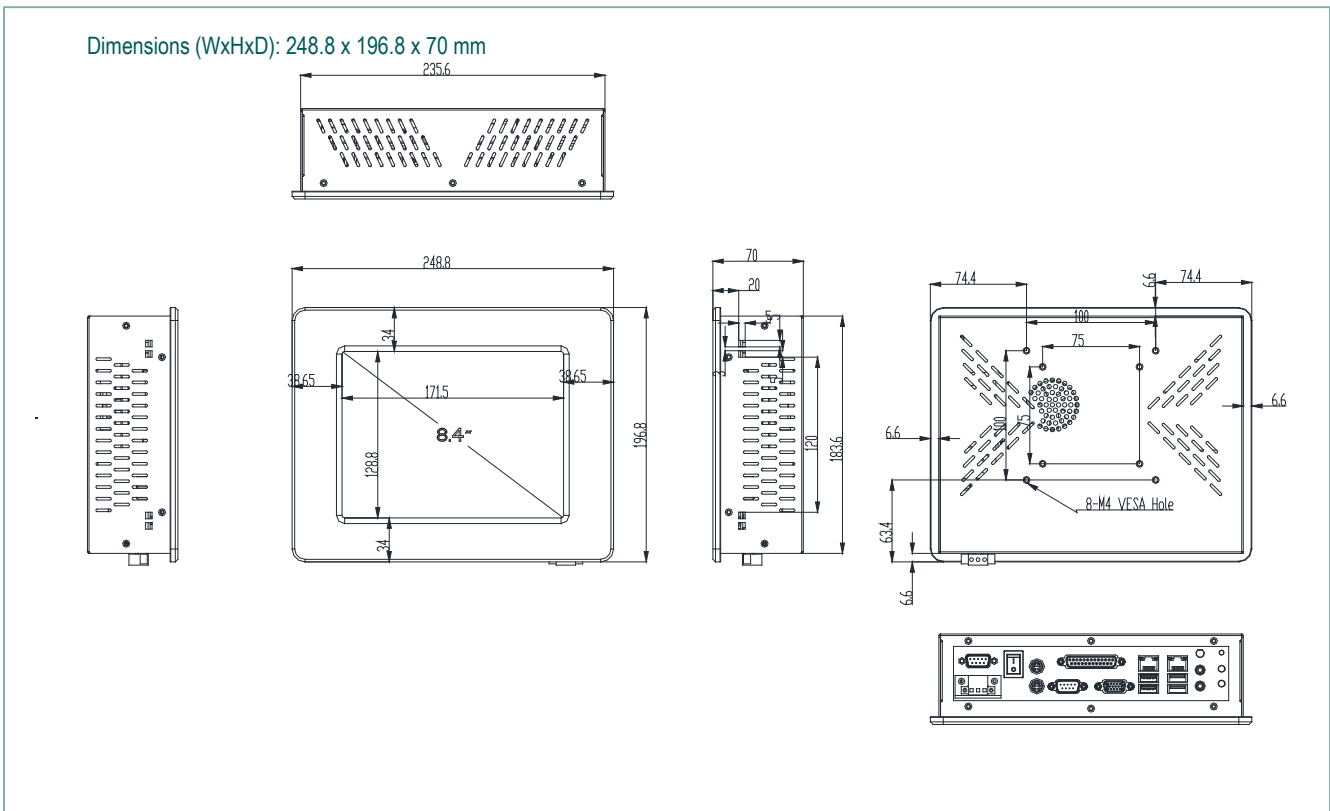
Input	100~240VAC,50/60Hz, external ac adapter
Output	DC 12V, output 23W
DC Power Input (Optional)	Wide Range 8~30v DC input

IPC-08A

Pictures & Views



Dimensions Diagram



Ordering information

Model	Descriptions
IPC-08A	8.4 inches industrial panel PC, with Intel J1900 Processor, 4G RAM (Optional 8G), 2.5" SSD/HDD (Size optional), 2xCOM (1* RS232, 1* RS485), 1x LPT, 2x PS/2, 1x VGA, 4x USB, 2x LAN, 1x Audio, MIC, Resistive Touch Screen, 12V power adapter
IPC-08AL	IPC-08A + Mini-PCIe wireless Lan card with antenna