

# IPC-10A

Industrial Panel PC with 10.4" 800 x 600 LCD Panel



## Features

- 10.4" SVGA TFT LCD Panel support 800x600 pixels
- 6mm Aluminum front bezel with resistive touch screen
- IP65 compliant aluminum front bezel
- Intel Celeron J1900 Quad Core 2.0G CPU
- Supports Windows Win7/Win8/Win10, Linux
- 3xCOM(2\*RS232,RS422/RS485) , 1x LPT, 2x PS/2, 1xVGA, 4xUSB2.0, 2xLAN, 1x Audio, MIC
- 1\* Mini PCIe slot for wifi optional
- Standard DC 12V input AC power adapter(optional DC 8-30V input)
- Panel (Flush) mount with clips
- Standard VESA 75/100mm support stand , wall mount and swing arm

## Specifications

System	
Processor	Intel Celeron J1900 CPU
Chipset	Intel Bay trail SOC
Memory	DDR3 4G RAM(MAX 8G)
Graphic	Intel HD chipset
Storage	2.5" SSD/HDD (Size optional),
Ethernet	2 x 100/1000 LAN ports
Vedio	1 x VGA
Audio	1x Mic-in, 1x Line-out
USB Port	4 x USB2.0
Serial Port	3*COM (2* RS232,1*RS422/485)
Keyboard/Mouse ports	2x PS/2
Parallel ports	1 x LPT (SPP/EPP/ECP port)
Power switch	1 x Power Switch
Expansion Slot	1 x Mini PCIe
Power supply	1 x DC input terminal connector
Construction	Front aluminum bezel and steel chassis
LCD Panel	
Display Type	10.4" SVGA TFT LCD
Resolution	800x 600
Max.color	16.2M
Luminance	250 cd/m2

View Angle	140°(H) , 110°(V)
Pixel Pitch	0.264 x 0.264 mm
Contrast Ratio	600:1
Response Time	35 ms
LCD MTBF	50,000hrs

## Available Options

Touch screen	Resistive type touch screen
Wireless LAN	Meet IEEE802.11b/g standard

## Mechanical and Environmental

IP Level	Front panel IP65-rated
Dimensions (WxHxD)	287.4 x 227.4 x 68 mm
Weight	Net: 4.5kg , Gross:7kg
Operating temperature	-10°C~ 60°C (-14~140°F)
Storage temperature	-20°C ~ 70°C (-4 ~ 158°F)
Storage humidity	5% to 95% @40°C non-condensing
Anti-Vibration	17HZ-500 HZ 1G PTP
Anti-Shock	1G / peak( 11m sec)

## Power Supply

Input	100~240VAC,50/60Hz, external ac adapter
Output	DC 12V, output 26W
DC Power Input (Optional)	Wide Range 8~30v DC input

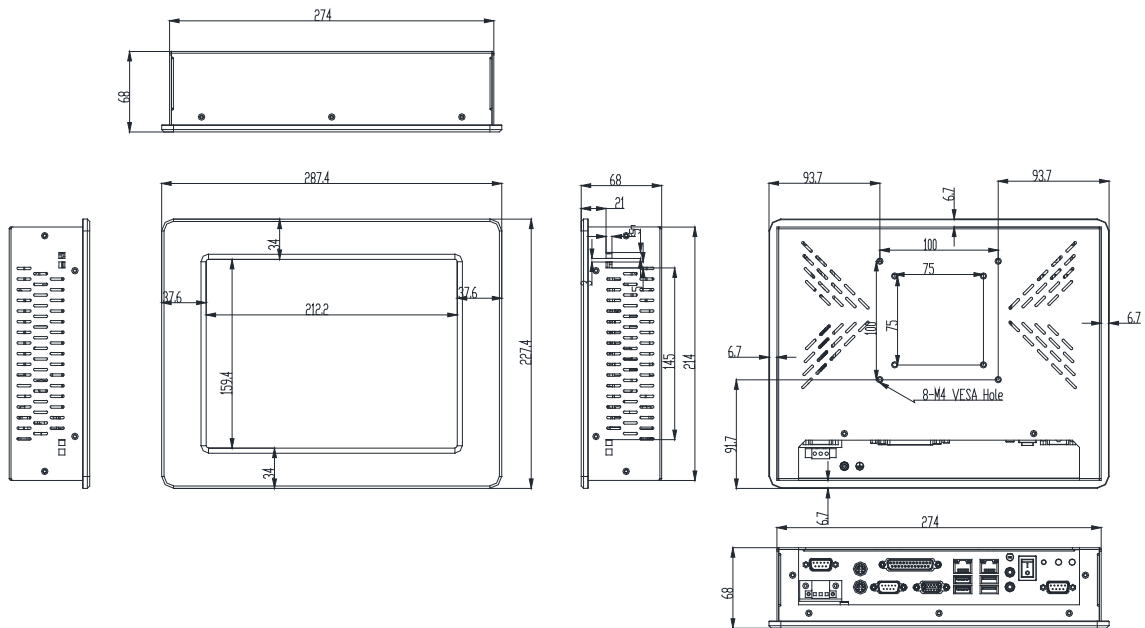
# IPC-10A

## Pictures & Views



## Dimensions Diagram

Dimensions (WxHxD): 287.4 x 227.4 x 68 mm



## Ordering information

Model	Descriptions
IPC-10A	10.4 inches industrial panel PC, with Intel J1900 Processor, 4G RAM(Opional 8G), 2.5" SSD/HDD (Size optional), 3xCOM(2* RS232,1*RS485), 1x LPT, 2x PS/2, 1xVGA, 4xUSB, 2xLAN, 1x Audio, MIC, Resistive Touch Screen, 12V power adapter
IPC-10AL	IPC-10A + Mini-PCIE wireless Lan card with antenna