



## Features

- 15" TFT XGA LED Panel 1024x768 with touch screen
- Intel® Celeron® Processor J1900 Processor
- Preload 4G RAM (Max 8G)
- 3~6x COM (1xRS422/485), 1x HDMI, 1xVGA, 4xUSB, 2xLAN, 1xAUDIO and MIC
- Offers 1 x Mini PCIe slot, for wireless LAN
- Rear panel with power LED and HDD LED Indication
- DC12V input (option Wide range DC 9-36V input)
- 6mm Robust aluminum with IP65 front bezel design
- Panel ( Flush ) mount with clip or Standard VESA 100x100mm support stand, wall mount and swing arm

## Specifications

Main System	
Processor	Onboard Intel® Celeron® Processor J1900 processor
Chipset	Intel Bay trail SOC
Memory	Preload 4GB Ram(Max 8G)
Storage	2.5" SATA HDD/SSD; Size optional
Ethernet	2x Realtek® RL8111x (Gigabit) 10/100/1000Ethernet
Graphic	Intel® HD chipset
Audio	Realtek® ALC662, 5.1 channel surround Audio
USB Port	3x USB2.0 and 1x USB3.0
Serial Port	3~6x COM(5x RS232, 1 x RS422/485)
Vedio Port	1x HDMI and 1x VGA(DB-15 Connector)
Audio Port	1x Audio (Mic-in / Line-out)
Power switch	1 x power switch
Expansive Slot	1 x Mini PCIe
Power supply	1x 3Pin DC power input terminal block DC Input Voltage : 12v, with External AC adapter; Output Rating 28W Optional Wide range DC 9-36V input
OS support	Windows 10/8/7, Linux
Construction	6mm Front aluminum bezel and steel chassis
LCD Panel	
Display Type	15" XGA TFT LCD LED backlight
Resolution	1024*768
Max.color	16.7M
Luminance	450 cd/m2
View Angle	160°(H) , 140°(V)
Contrast Ratio	700:1
Response Time	12 ms
LCD MTBF	50, 000hrs
Touch Screen	
Type	Resistive touch screen
Controller Interface	Internal USB interface controller
Resolution	Continuous
Light Transmission	81% or more

# IPC-15PF

Operating Force	≤100g
Life Expectancy	35 Million

## Environmental

Operating temperature	-10°C~ 60°C (-14~140°F)
Storage temperature	-20°C ~ 70°C (-4 ~ 158°F)
Storage humidity	5% to 95% @40°C non-condensing
Anti-Vibration	17HZ-500 HZ 1G PTP
Anti-Shock	1G / peak( 11m sec)
Ingress Protection	Front panel IP65/NEMA4

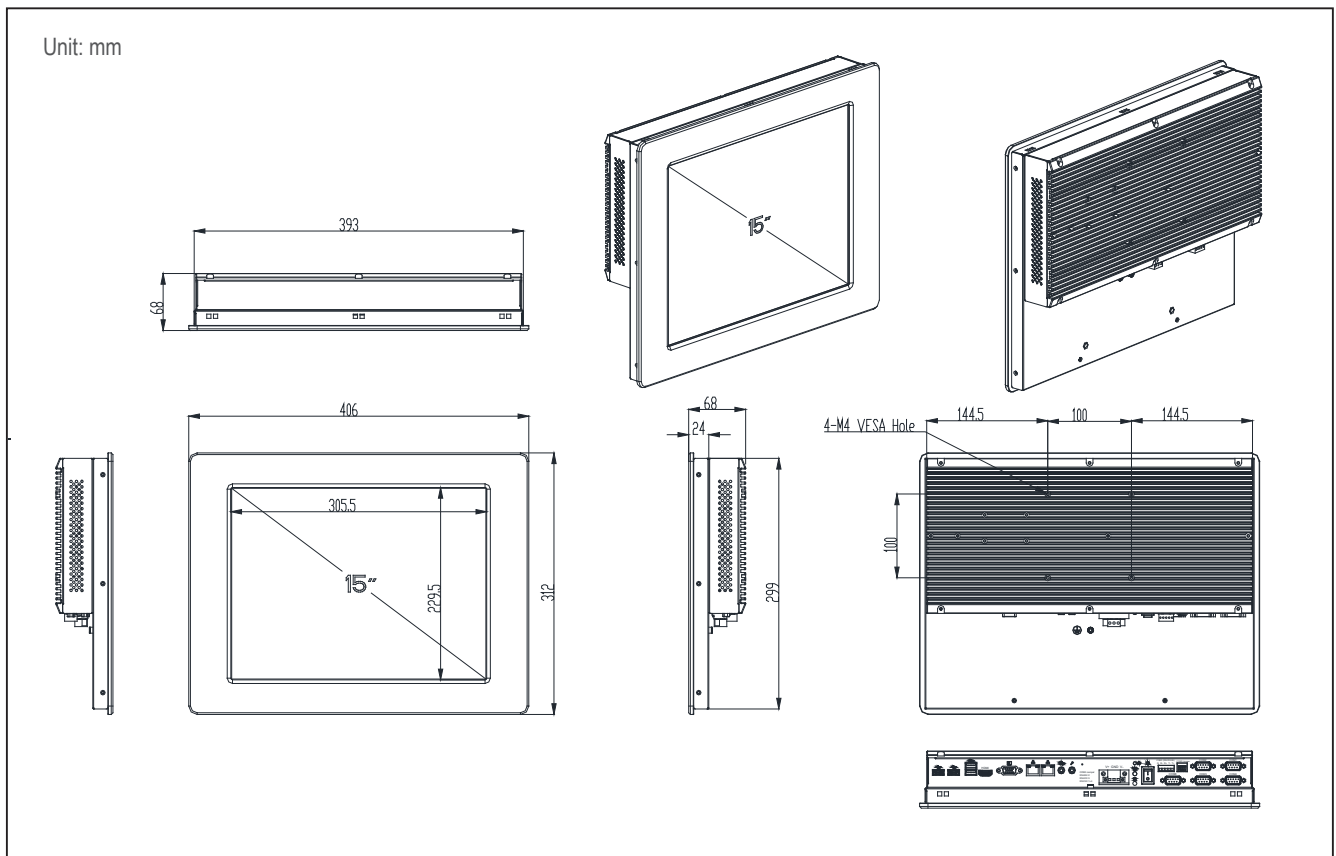
## Packing Info

Dimensions (WxHxD)	406x 312 x 68mm
NET Weight	7.5 kg

## Ordering informations

IPC-15PF	15" XGA Fanless Industrial Panel PC with Intel® Celeron J1900 Processor, with 4G RAM(Max 8G), SSD/HDD, with Resistive Touch Screen, DC12Vinput External AC adapter
IPC-15PFL	IPC-15PF + Mini-PCIE wireless Lan card with antenna

## Dimensions Diagram



Touch screen PC