

Industrial Panel PC DF Series

RD,OEM and manufacture industrial computer, industrial lcd monitor, IPC chassis, Rugged computer, single board computer, etc.



Shanghai Anxin Intelligent Technology CO.,LTD.

 +86-21-64377916

 +86-21-64377973

 sales@anxinpc.com annxinpc@gmail.com

 08D Floor 10, Caoxi North road NO 41, XuJiaHui, Shanghai, China

Industrial Panel PC DF Series

Table Of Contents

IPC-10WDF

10.1" LCD 1280x800 Industrial Panel PC with touch screen 2COM 1xHDMI&VGA 2-1

IPC-12DF

12.1" LCD 1024x768 Industrial Panel PC with 2COM 1xHDMI&VGA 2-3

IPC-15DF

15" LCD 1024x768 Industrial Panel PC with touch screen 6COM 2LAN 1HDMI&VGA 2-5

IPC-17DF

17" LCD 1280x1024 Industrial Panel PC with 6xCOM 2xLAN 1xVGA&HDMI 2-7

IPC-19DF

19" LCD 1280x1024 Industrial Panel PC with 6xCOM 2xLAN 1xVGA&HDMI 2-9

IPC-21WDF

21.5" HDTV 1920 x1080 LCD Industrial Panel PCwith 6COM 2LAN VGA HDMI..... 2-11

IPC-10WDF

10.1" LCD 1280x800 Industrial Panel PC with touch screen



Features

- 10.1" WXGA TFT LCD Panel support 1280x800 pixels
- 5mm Aluminum front bezel with resistive touch screen
- Intel Celeron J1900 Quad Core 2.0G CPU
- Supports Windows XP, Win7/Win8/Win10, Linux
- 2*COM , 1x HDMI, 1xVGA, 4xUSB(1 usb 3.0), 2xLAN, 1x AUDIO, MIC
- 1* Mini PCIe slot for wifi optional
- Standard DC 12V input (optional Wide range DC 9-36V input)
- Panel (Flush) mount with clips
- Standard VESA 100mm holes support stand , wall mount and swing arm

Specifications

System	
Processor	Intel Celeron J1900 CPU
Chipset	Intel Bay trail SOC
Memory	DDR3 2G RAM(MAX 8G)
Graphic	Intel HD chipset
Storage	SSD 32G(HDD optional)
Ethernet	2 x 100/1000 LAN ports
Vedio	1 x VGA, 1x HDMI
Audio	1x Mic-in / Line-out
USB Port	4 x USB(1 x USB3.0)
Serial Port	2 x RS-232
Power switch	1 x power switch
Expansive Slot	1 x Mini PCIe
Power supply	1 x DC input terminal connector
Construction	Front aluminum bezel and steel chassis
LCD Panel	
Display Type	10.1" WXGA TFT LCD(LED backlight)
Resolution	1280*800
Max.color	16.7M
Luminance	300 cd/m2
View Angle	150°(H) , 135°(V)
Pixel Pitch	0.1692 x 0.1692 mm
Contrast Ratio	300:1
Response Time	8 ms
LCD MTBF	50, 000hrs
Mechanical and Environmental	
Dimensions (WxHxD)	315 x 225x 44mm
Weight	Net: 4.5kg , Gross:6.7 kg
Operating temperature	32 °F~113 °F (0 °C to 45°C)
Storage temperature	-4 °F~-140 °F (-20 °C to 60 °C)
Storage humidity	10% to 90% non-condensing
Anti-Vibration	17HZ-500 HZ 1G PTP
Anti-Shock	1G / peak(11m sec)

IPC-10WDF

Available Options

Touch screen	Resistive type touch screen
Wireless LAN	Meet IEEE802.11b/g standard(WiFi)
DC Power Input	Wide Range 9~36v DC input

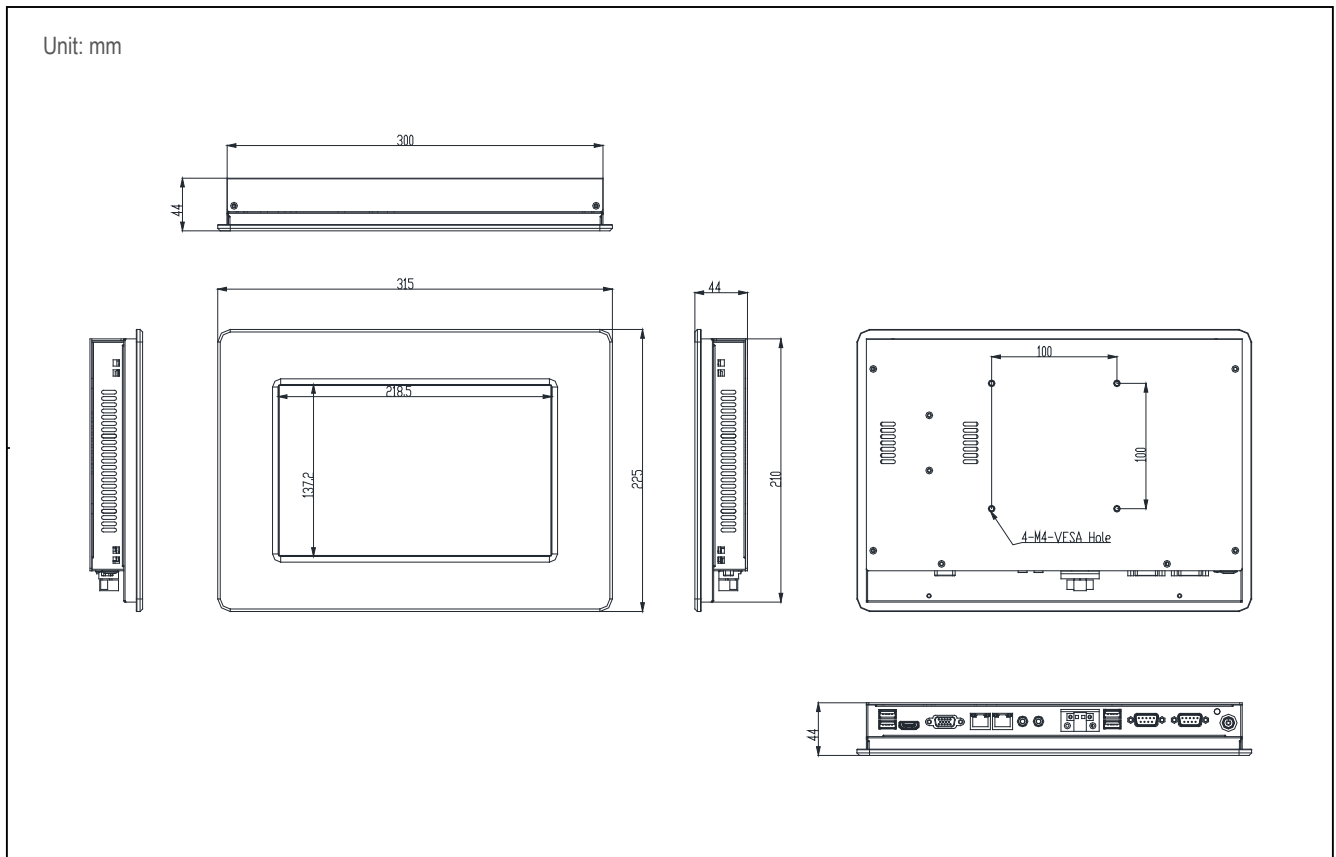
Power Specifications

Input	100~240VAC,50/60Hz, external ac adapter
Output	DC12V, output 23W

Ordering informations

IPC-10WDF	10.1 inches industrial panel PC, with Intel J1900 Processor, 2G RAM, 32GSSD, 2*COM , 1x HDMI, 1xVGA, 4xUSB(1 usb 3.0), 2xLAN, 1x AUDIO, MIC, Resistive Touch Screen
IPC-10WDFL	IPC-10WDF + Mini-PCIE wireless Lan card with antenna

Dimensions Diagram



IPC-12DF

12.1" LCD 1024x768 Industrial Panel PC with 1xHDMI&VGA



Features

- 12.1" XGA TFT LCD Panel support 1024x768 pixels
- 5mm Aluminum front bezel with resistive touch screen
- Intel Celeron J1900 Quad Core 2.0G CPU
- Supports Windows XP, Win7/Win8/Win10, Linux
- 2*COM , 1x HDMI, 1xVGA, 4xUSB(1 usb 3.0), 2xLAN, 1x AUDIO, MIC
- 1* Mini PCIe slot for wifi optional
- Standard DC 12V input (optional Wide range DC 9-36V input)
- Panel (Flush) mount with clips
- Standard VESA 100mm holes support stand , wall mount and swing arm

Specifications

System	
Processor	Intel Celeron J1900 CPU
Chipset	Intel Bay trail SOC
Memory	DDR3 2G RAM(MAX 8G)
Graphic	Intel HD chipset
Storage	SSD 32G(HDD optional)
Ethernet	2 x 100/1000 LAN ports
Vedio	1 x VGA, 1x HDMI
Audio	1x Mic-in / Line-out
USB Port	4 x USB(1 x USB3.0)
Serial Port	2 x RS-232
Power switch	1 x power switch
Expansive Slot	1 x Mini PCIe
Power supply	1 x DC input terminal connector
Construction	Front aluminum bezel and steel chassis
LCD Panel	
Display Type	12.1" XGA TFT LCD(LED backlight)
Resolution	1024 x 768
Max.color	16.2M
Luminance	400 cd/m2
View Angle	160°(H) , 160°(V)
Pixel Pitch	0.297 x 0.297 mm
Contrast Ratio	300:1
Response Time	35 ms
LCD MTBF	50, 000hrs
Mechanical and Environmental	
Dimensions (WxHxD)	315 x 250 x 50mm
Weight	Net: 4.7kg , Gross:7 kg
Operating temperature	32 °F~113 °F (0 °C to 45°C)
Storage temperature	-4 °F~-140 °F (-20 °C to 60 °C)
Storage humidity	10% to 90% non-condensing
Anti-Vibration	17HZ-500 HZ 1G PTP
Anti-Shock	1G / peak(11m sec)

IPC-12DF

Available Options

Touch screen	Resistive type touch screen
Wireless LAN	Meet IEEE802.11b/g standard
DC Power Input	Wide Range 9~36v DC input

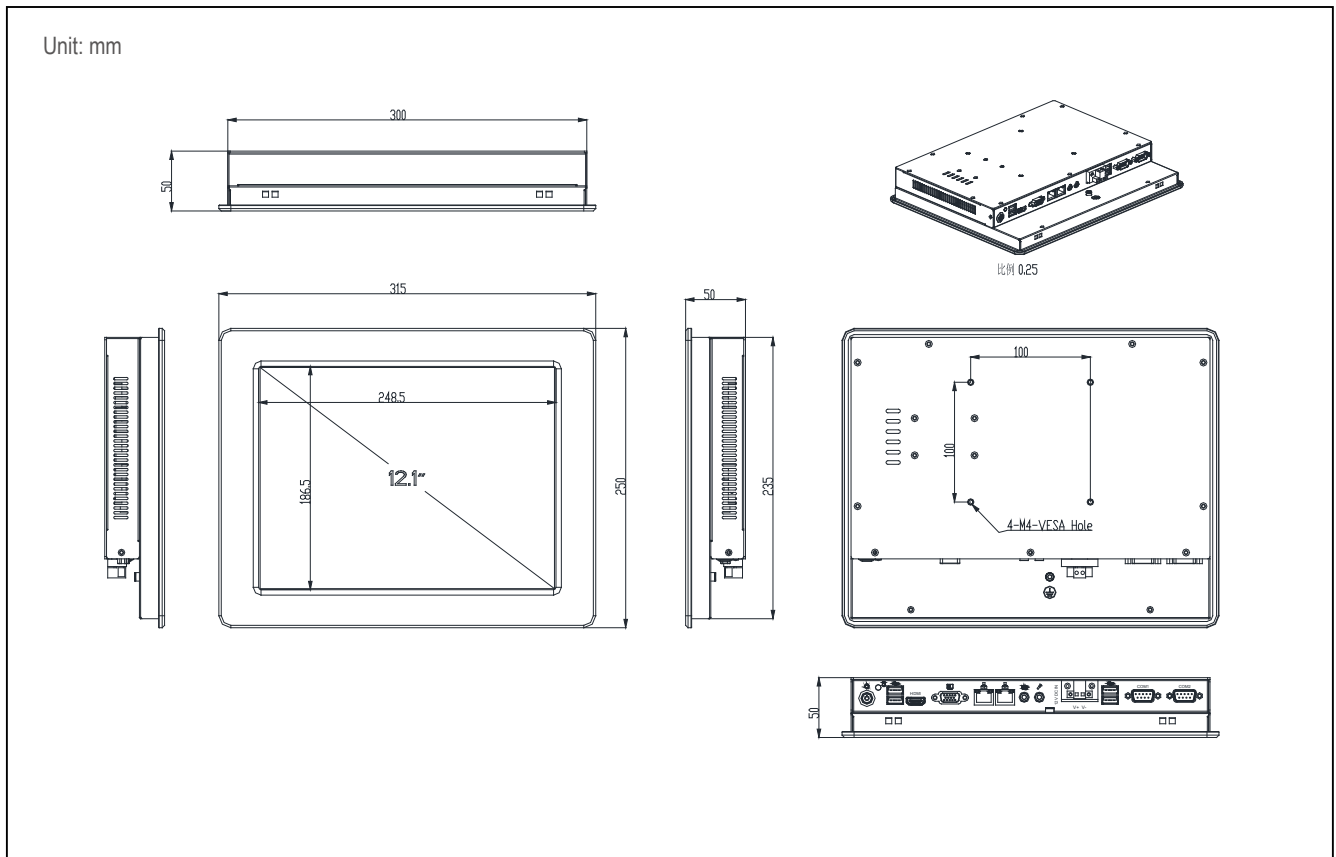
Power Specifications

Input	100~240VAC, 50/60Hz, external ac adapter
Output	DC12V, output 23W

Ordering informations

IPC-12DF	12.1 inches industrial panel PC with Intel J1900 Processor, 2G RAM(MAX 8G RAM), 32GSSD(Optional HDD), 2*COM , 1x HDMI, 1xVGA, 4xUSB(1 usb 3.0), 2xLAN, 1x AUDIO, MIC, Resistive Touch Screen
IPC-12DFL	IPC-12DF + Mini-PCIE wireless Lan card with antenna

Dimensions Diagram



IPC-15DF

15" Industrial Panel PC with Intel Celeron J1900 CPU



Features

- 15" XGA TFT LCD Panel support 1024x768 pixels
- 5mm Aluminum front bezel with resistive touch screen
- Intel Celeron J1900 Quad Core 2.0G CPU
- Supports Windows XP, Win7/Win8/Win10, Linux
- 6*COM(5* RS232, 1*RS485) , 1x HDMI, 1xVGA, 4xUSB(1 usb 3.0), 2xLAN, 1x AUDIO, MIC
- 1* Mini PCIe slot for wifi optional
- Standard DC 12V input (optional Wide range DC 9-36V input)
- Panel (Flush) mount with clips
- Standard VESA 100mm holes support stand , wall mount and swing arm

Specifications

System	
Processor	Intel Celeron J1900 CPU
Chipset	Intel Bay trail SOC
Memory	DDR3 2G RAM(MAX 8G)
Graphic	Intel HD chipset
Storage	SSD 32G(HDD optional)
Ethernet	2 x 100/1000 LAN ports
Vedio	1 x VGA, 1x HDMI
Audio	1x Mic-in / Line-out
USB Port	4 x USB(1 x USB3.0)
Serial Port	6*COM(5* RS232, 1*RS485)
Power switch	1 x power switch
Expansive Slot	1 x Mini PCIe
Power supply	1 x DC input terminal connector
Construction	Front aluminum bezel and steel chassis
LCD Panel	
Display Type	15" XGA TFT LCD(LED backlight)
Resolution	1024*768
Max.color	16.7M
Luminance	450 cd/m2
View Angle	120°(H) , 100°(V)
Pixel Pitch	0.1692 x 0.1692 mm
Contrast Ratio	300:1
Response Time	16 ms
LCD MTBF	50, 000hrs
Mechanical and Environmental	
Dimensions (WxHxD)	370 x 295 x 50mm
Weight	Net: 5.1kg , Gross:8.3 kg
Operating temperature	32 °F~113 °F (0 °C to 45°C)
Storage temperature	-4 °F~-140 °F (-20 °C to 60 °C)
Storage humidity	10% to 90% non-condensing
Anti-Vibration	17HZ-500 HZ 1G PTP
Anti-Shock	1G / peak(11m sec)

IPC-15DF

Available Options

Touch screen	Resistive type touch screen
Wireless LAN	Meet IEEE802.11b/g standard
DC Power Input	Wide Range 9~36v DC input

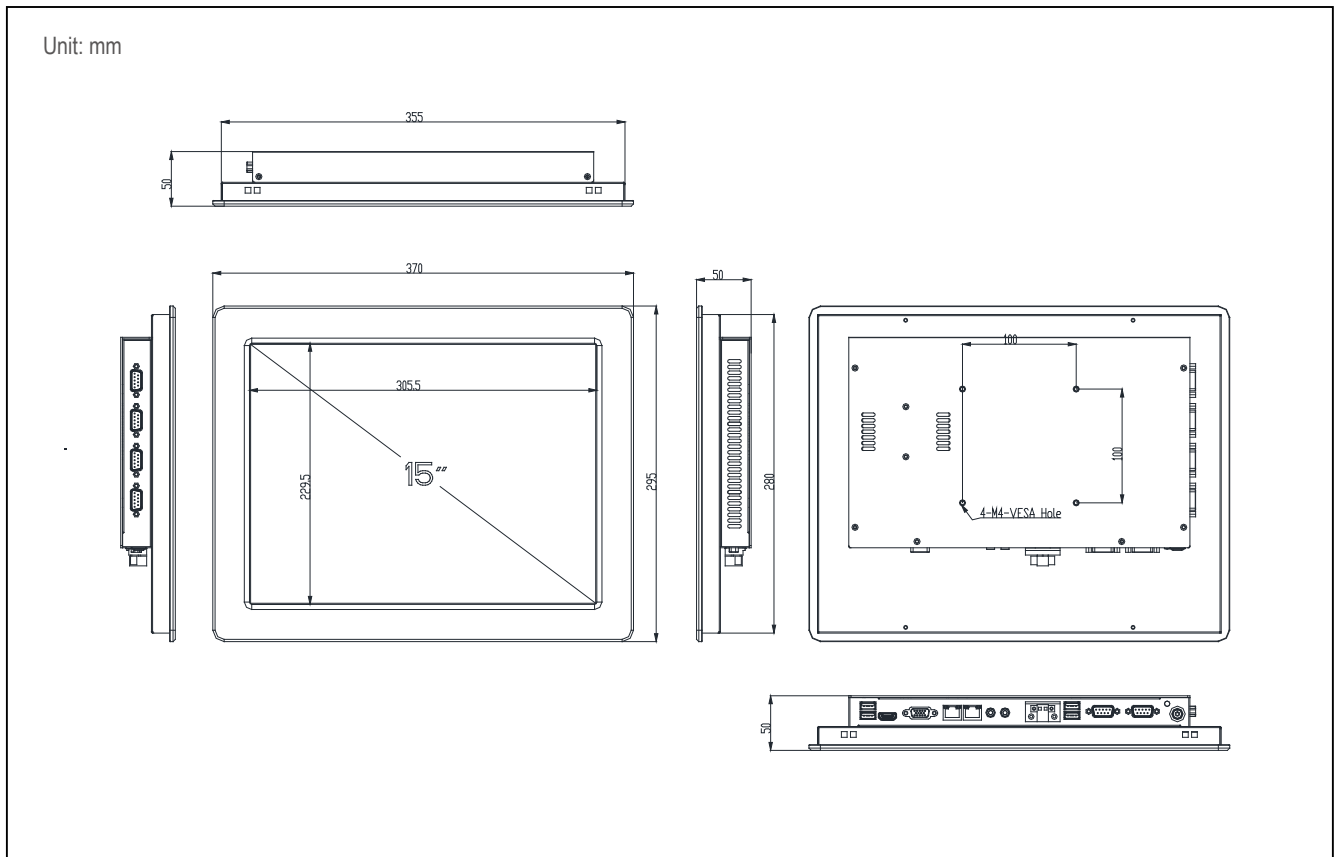
Power Specifications

Input	100~240VAC, 50/60Hz, external ac adapter
Output	DC12V, output 28W

Ordering informations

IPC-15DF	15 inches industrial panel PC, with Intel J1900 Processor, 2G RAM, 32GSSD, 6*COM(5* RS232, 1*RS485), 1x HDMI, 1xVGA, 4xUSB(1 usb 3.0), 2xLAN, 1x AUDIO, MIC, Resistive Touch Screen
IPC-15DFL	IPC-15DF + Mini-PCIE wireless Lan card with antenna

Dimensions Diagram



IPC-17DF

17" Industrial Panel PC with 6xCOM 2xLAN 1xVGA&HDMI



Features

- 17" SXGA TFT LCD Panel support 1280x1024 pixels
- 5mm Aluminum front bezel with resistive touch screen
- Intel Celeron J1900 Quad Core 2.0G CPU
- Supports Windows XP, Win7/Win8/Win10, Linux
- 6*COM(5* RS232, 1*RS485) , 1x HDMI, 1xVGA, 4xUSB(1 usb 3.0), 2xLAN, 1x AUDIO, MIC
- 1* Mini PCIe slot for wifi optional
- Standard DC 12V input (optional Wide range DC 9-36V input)
- Panel (Flush) mount with clips
- Standard VESA 100mm holes support stand , wall mount and swing arm

Specifications

System

Processor	Intel Celeron J1900 CPU
Chipset	Intel Bay trail SOC
Memory	DDR3 2G RAM(MAX 8G)
Graphic	Intel HD chipset
Storage	SSD 32G(HDD optional)
Ethernet	2 x 100/1000 LAN ports
Vedio	1 x VGA, 1x HDMI
Audio	1x Mic-in / Line-out
USB Port	4 x USB(1 x USB3.0)
Serial Port	6*COM(5* RS232, 1*RS485)
Power switch	1 x power switch
Expansive Slot	1 x Mini PCIe
Power supply	1 x DC input terminal connector
Construction	Front aluminum bezel and steel chassis

LCD Panel

Display Type	17" TFT SXGA TFT LCD(LED backlight)
Resolution	1280*1024
Max.color	16.2M
Luminance	250 cd/m2
View Angle	120°(H) , 100°(V)
Pixel Pitch	0.264 x 0.264 mm
Contrast Ratio	500:1
Response Time	16 ms
LCD MTBF	50, 000hrs

Mechanical and Environmental

Dimensions (WxHxD)	408 x 340 x 50mm
Weight	Net: 5.7kg , Gross:9 kg
Operating temperature	32 °F~113 °F (0 °C to 45°C)
Storage temperature	-4 °F~-140 °F (-20 °C to 60 °C)
Storage humidity	10% to 90% non-condensing
Anti-Vibration	17HZ-500 HZ 1G PTP
Anti-Shock	1G / peak(11m sec)

IPC-17DF

Available Options

Touch screen	Resistive type touch screen
Wireless LAN	Meet IEEE802.11b/g standard
DC Power Input	Wide Range 9~36v DC input

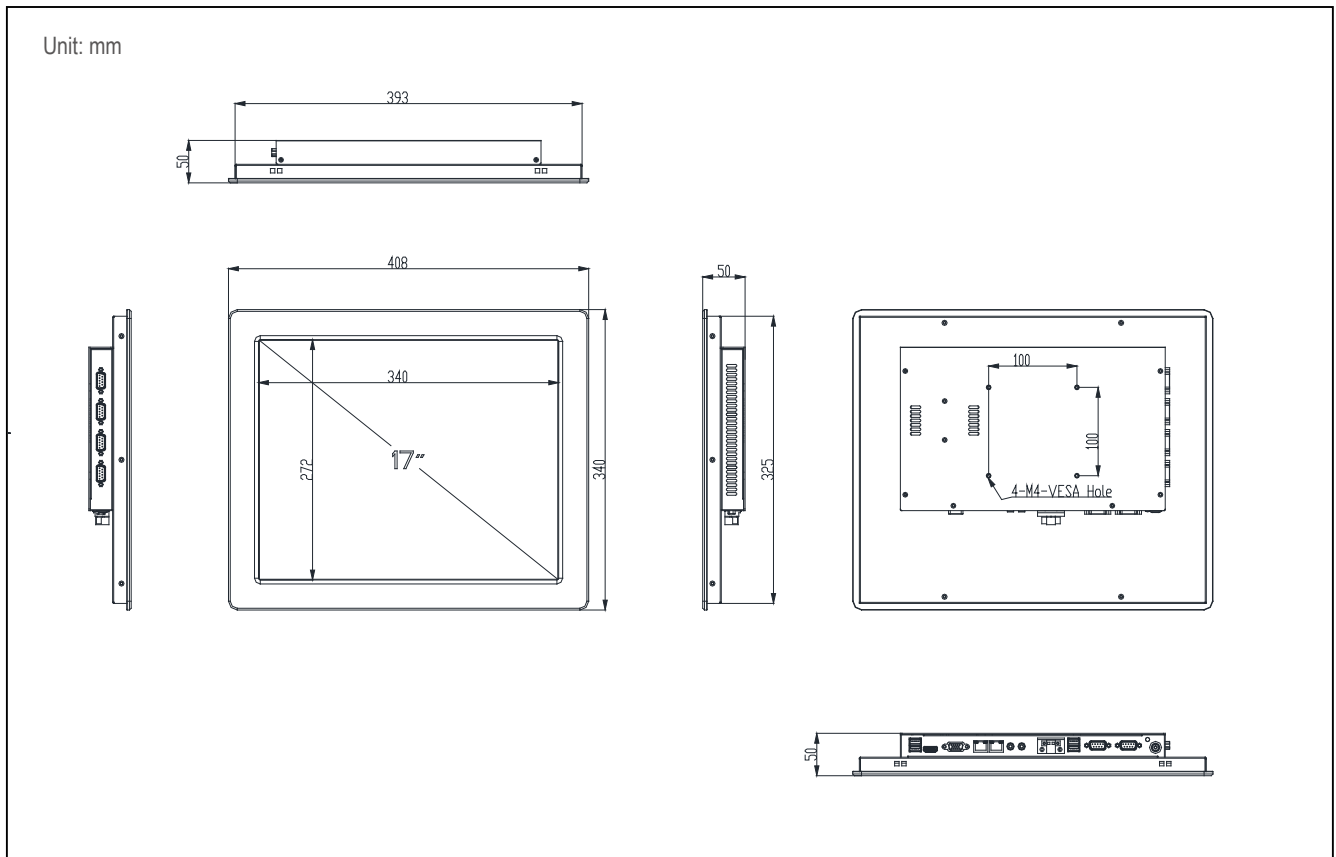
Power Specifications

Input	100~240VAC, 50/60Hz, external ac adapter
Output	DC12V, output 28W

Ordering informations

IPC-17DF	17 inches industrial panel PC, with Intel J1900 Processor, 2G RAM, 32GSSD, 6*COM(5* RS232, 1*RS485), 1x HDMI, 1xVGA, 4xUSB(1 usb 3.0), 2xLAN, 1x AUDIO, MIC, Resistive Touch Screen
IPC-17DFL	IPC-17DF + Mini-PCIE wireless Lan card with antenna

Dimensions Diagram



IPC-19DF

19" Industrial Panel PC with Intel Celeron J1900 CPU



Features

- 19" SXGA TFT LCD Panel support 1280x1024 pixels
- 5mm Aluminum front bezel with resistive touch screen
- Intel Celeron J1900 Quad Core 2.0G CPU
- Supports Windows XP, Win7/Win8/Win10, Linux
- 6*COM(5* RS232, 1*RS485) , 1x HDMI, 1xVGA, 4xUSB(1 usb 3.0), 2xLAN, 1x AUDIO, MIC
- 1* Mini PCIe slot for wifi optional
- Standard DC 12V input (optional Wide range DC 9-36V input)
- Panel (Flush) mount with clips
- Standard VESA 75mm support stand , wall mount and swing arm

Specifications

System

Processor	Intel Celeron J1900 CPU
Chipset	Intel Bay trail SOC
Memory	DDR3 2G RAM(MAX 8G)
Graphic	Intel HD chipset
Storage	SSD 32G(HDD optional)
Ethernet	2 x 100/1000 LAN ports
Vedio	1 x VGA, 1x HDMI
Audio	1x Mic-in / Line-out
USB Port	4 x USB(1 x USB3.0)
Serial Port	6*COM(5* RS232, 1*RS485)
Power switch	1 x power switch
Expansive Slot	1 x Mini PCIe
Power supply	1 x DC input terminal connector
Construction	Front aluminum bezel and steel chassis

LCD Panel

Display Type	19" SXGA TFT LCD(LED backlight)
Resolution	1280*1024
Max.color	16.2M
Luminance	250 cd/m2
View Angle	120°(H) , 100°(V)
Pixel Pitch	0.292 x 0.292 mm
Contrast Ratio	500:1
Response Time	16 ms
LCD MTBF	50, 000hrs

Mechanical and Environmental

Dimensions (WxHxD)	446 x 371x 50mm
Weight	Net: 7.2kg , Gross:9.8 kg
Operating temperature	32 °F~113 °F (0 °C to 45°C)
Storage temperature	-4 °F~-140 °F (-20 °C to 60 °C)
Storage humidity	10% to 90% non-condensing
Anti-Vibration	17HZ-500 HZ 1G PTP
Anti-Shock	1G / peak(11m sec)

IPC-19DF

Available Options

Touch screen	Resistive type touch screen
Wireless LAN	Meet IEEE802.11b/g standard
DC Power Input	Wide Range 9~30v DC input

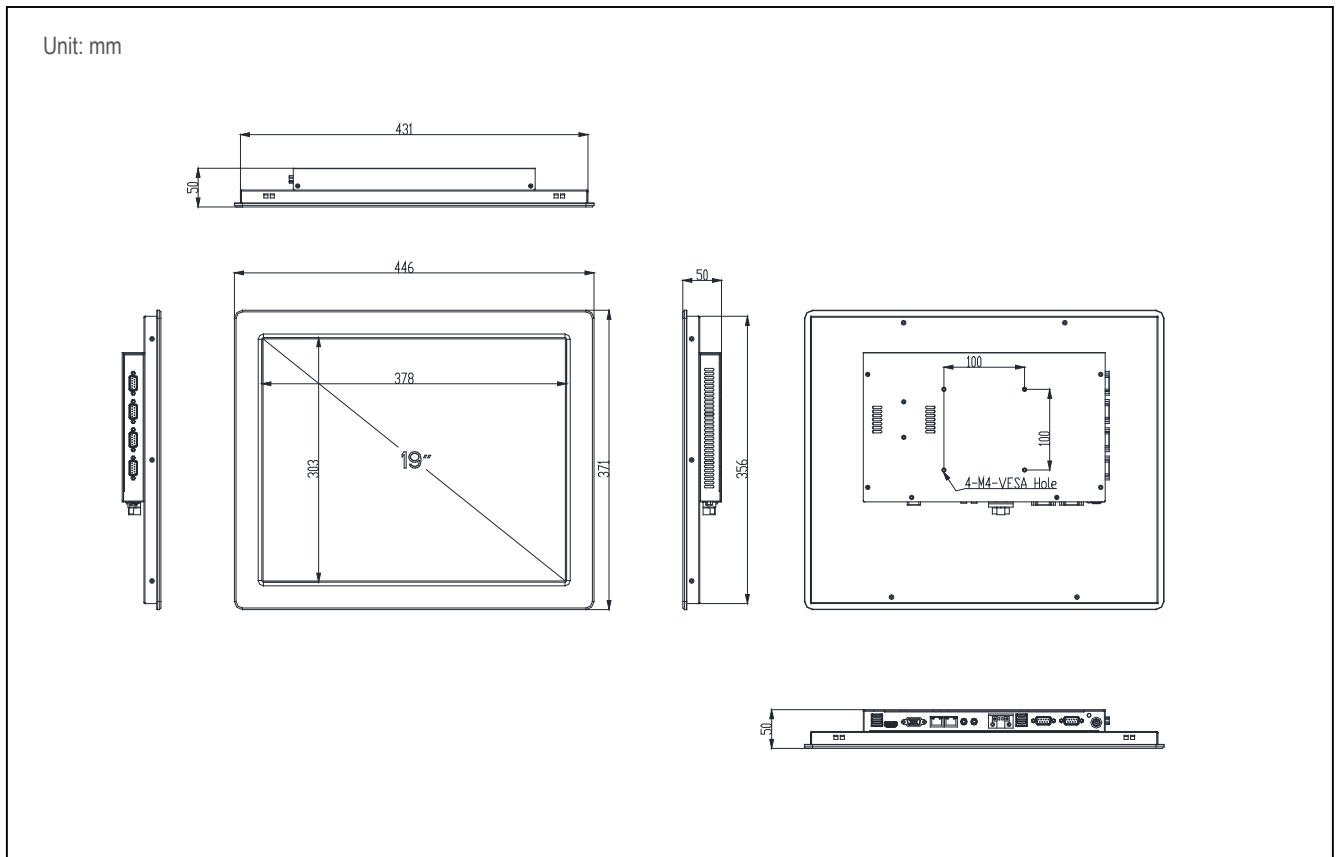
Power Specifications

Input	100~240VAC, 50/60Hz, external ac adapter
Output	DC12V, output 28W

Ordering informations

IPC-19DF	19 inches industrial panel PC, with Intel J1900 Processor, 2G RAM, 32GSSD, 6*COM(5* RS232, 1*RS485), 1x HDMI, 1xVGA, 4xUSB(1 usb 3.0), 2xLAN, 1x AUDIO, MIC, Resistive Touch Screen
IPC-19DFL	IPC-19DF + Mini-PCIE wireless Lan card with antenna

Dimensions Diagram



IPC-21WDF

21.5" HDTV 1920 x1080 LCD Industrial Panel PC with 6COM



Features

- 21.5" HDTV TFT LCD Panel support 1920 x1080 pixels
- 5mm Aluminum front bezel with resistive touch screen
- Intel Celeron J1900 Quad Core 2.0G CPU
- Supports Windows XP, Win7/Win8/Win10, Linux
- 6*COM(5* RS232, 1*RS485) , 1x HDMI, 1xVGA, 4xUSB(1 usb 3.0), 2xLAN, 1x AUDIO, MIC
- 1* Mini PCIe slot for wifi optional
- Standard DC 12V input (optional Wide range DC 9-36V input)
- Panel (Flush) mount with clips
- Standard VESA 75mm support stand , wall mount and swing arm

Specifications

System	
Processor	Intel Celeron J1900 CPU
Chipset	Intel Bay trail SOC
Memory	DDR3 2G RAM(MAX 8G)
Graphic	Intel HD chipset
Storage	SSD 32G(HDD optional)
Ethernet	2 x 100/1000 LAN ports
Vedio	1 x VGA, 1x HDMI
Audio	1x Mic-in / Line-out
USB Port	4 x USB(1 x USB3.0)
Serial Port	6*COM(5* RS232, 1*RS485)
Power switch	1 x power switch
Expansive Slot	1 x Mini PCIe
Power supply	1 x DC input terminal connector
Construction	Front aluminum bezel and steel chassis
LCD Panel	
Display Type	21.5 " HDTV TFT LCD(LED backlight)
Resolution	1920 * 1080 WSUVGA
Max.color	16.2M
Luminance	250 cd/m2
View Angle	120°(H) , 100°(V)
Pixel Pitch	0.292 x 0.292 mm
Contrast Ratio	500:1
Response Time	16 ms
LCD MTBF	50, 000hrs
Mechanical and Environmental	
Dimensions (WxHxD)	545 x 335 x 50mm
Weight	Net: 8.4 kg , Gross:11.6 kg
Operating temperature	32 °F~113 °F (0 °C to 45°C)
Storage temperature	-4 °F~-140 °F (-20 °C to 60 °C)
Storage humidity	10% to 90% non-condensing
Anti-Vibration	17HZ-500 HZ 1G PTP
Anti-Shock	1G / peak(11m sec)

IPC-21WDF

Available Options

Touch screen	Resistive type touch screen
Wireless LAN	Meet IEEE802.11b/g standard
DC Power Input	Wide Range 9~30v DC input

Power Specifications

Input	100~240VAC, 50/60Hz, external ac adapter
Output	DC12V, output 28W

Ordering informations

IPC-21WDF	21 inches industrial panel PC, with Intel J1900 Processor, 2G RAM, 32GSSD, 6*COM(5* RS232, 1*RS485), 1x HDMI, 1xVGA, 4xUSB(1 usb 3.0), 2xLAN, 1x AUDIO, MIC, Resistive Touch Screen
IPC-21WDFL	IPC-21WDF + Mini-PCIE wireless Lan card with antenna

Dimensions Diagram

